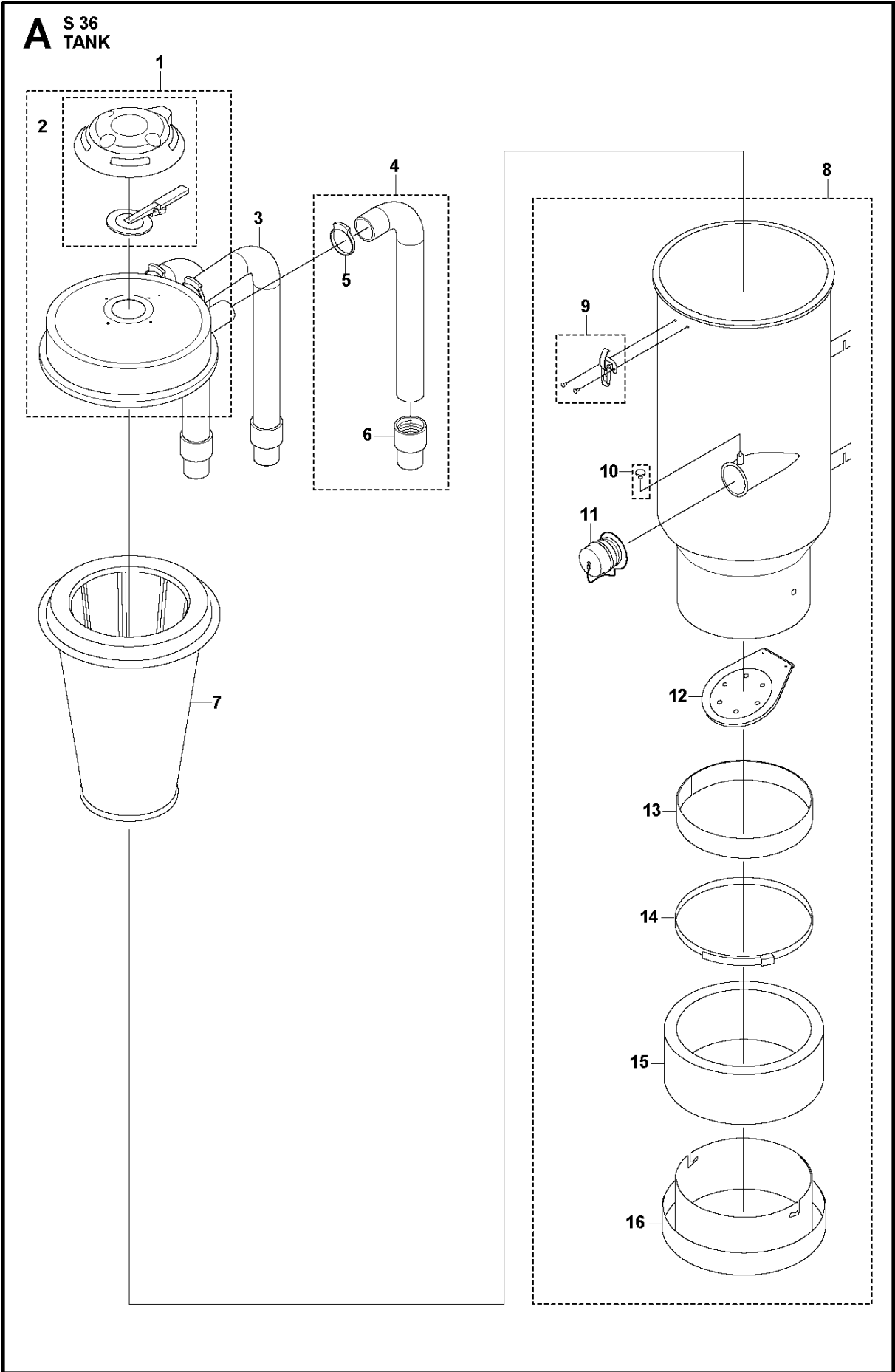




# SPARE PARTS LIST

## DUST AND SLURRY MANAGEMENT

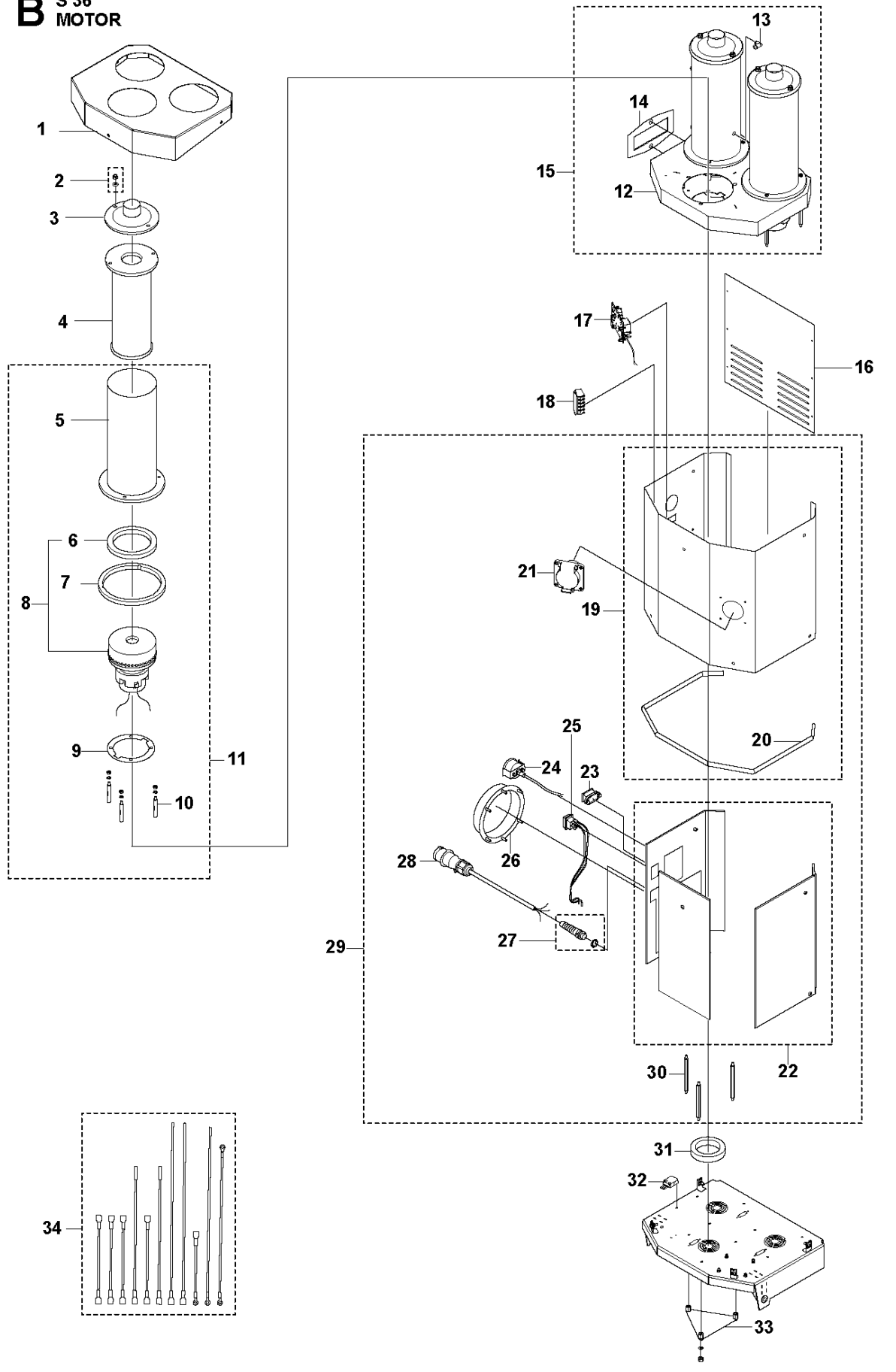
S36, 967663801, 967663802, 967663803,  
967663804, 967663805, 967663806,  
967663807, 2019-06



TANK S36, 967663801, 967663802, 967663803, 967663804, 967663805, 967663806, 967663807,  
2019-06

| Ref | Part No      | Description   | Remark | QTY | KIT |
|-----|--------------|---------------|--------|-----|-----|
| 1   | 590 47 86-02 | TANK CAP ASSY |        | 1   |     |
| 2   | 590 41 50-02 | VALVE         |        | 1   | 1   |
| 3   | 590 44 89-01 | HOSE KIT      |        | 1   |     |
| 4   | 590 44 88-01 | HOSE KIT      |        | 2   |     |
| 5   | 590 40 08-01 | HOSE CLAMP    |        | 1   | 4   |
| 6   | 590 43 81-01 | HOSE          |        | 1   | 4   |
| 7   | 590 43 02-02 | FILTER        |        | 1   |     |
| 8   | 590 47 85-02 | TANK          |        | 1   |     |
| 9   | 590 39 64-01 | HOLDER KIT    |        | 3   | 8   |
| 10  | 590 40 16-01 | LOCKING PIN   |        | 1   | 8   |
| 11  | 590 42 67-01 | LID           |        | 1   | 8   |
| 12  | 590 39 86-01 | FLAP          |        | 1   | 8   |
| 13  | 590 40 23-01 | SEAL          |        | 1   | 8   |
| 14  | 590 40 18-01 | STRAP         |        | 1   | 8   |
| 15  | 590 42 92-01 | DUST BAG      |        | 1   | 8   |
| 16  | 590 42 69-01 | HOLDER        |        | 1   | 8   |

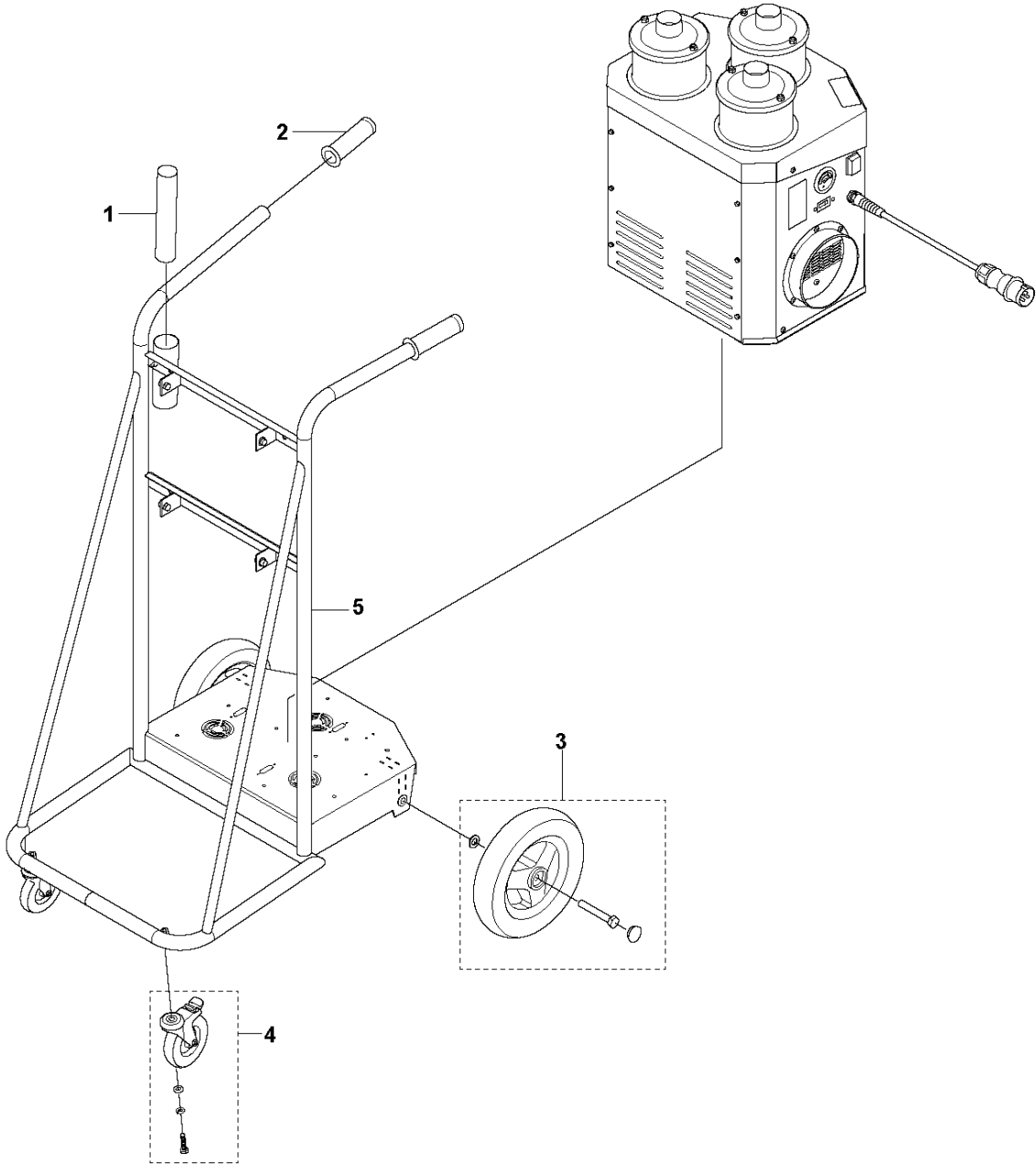
**B** S 36  
MOTOR



MOTOR S36, 967663801, 967663802, 967663803, 967663804, 967663805, 967663806, 967663807, 2019-06

| Ref | Part No      | Description       | Remark             | QTY | KIT |
|-----|--------------|-------------------|--------------------|-----|-----|
| 1   | 590 44 87-01 | COVER LID         |                    | 1   |     |
| 2   | 590 40 07-01 | NUT               |                    | 6   |     |
| 3   | 590 39 89-01 | FILTER COVER      |                    | 3   |     |
| 4   | 590 42 98-01 | FILTER            |                    | 3   |     |
| 5   | 590 45 14-01 | FILTER HOUSING    |                    | 3   | 11  |
| 5   | 591 85 68-01 | PIPE              | Incl nipple        | 1   |     |
| 6   | 591 90 09-01 | PACKING           |                    | 3   | 11  |
| 7   | 590 45 08-01 | SEALING           |                    | 3   | 11  |
| 8   | 590 39 69-01 | MOTOR KIT         | 230 V              | 3   | 11  |
| 8   | 593 04 23-01 | ENGINE            | 120 V              | 1   |     |
| 9   | 590 45 11-01 | SEAL KIT          |                    | 3   | 11  |
| 10  | 590 45 12-01 | SUPPORT KIT       |                    | 1   | 11  |
| 11  | 590 42 70-01 | MOTOR             | 230 V              | 3   |     |
| 11  | 590 41 55-01 | MOTOR             | 230 V, Incl nipple | 1   |     |
| 11  | 590 42 71-01 | MOTOR             | 120 V              | 1   |     |
| 11  | 590 41 57-01 | MOTOR             | 120 V, Incl nipple | 1   |     |
| 12  | 590 45 09-01 | BOX               |                    | 1   | 15  |
| 13  | 590 44 86-01 | NIPPLE            |                    | 1   | 15  |
| 14  | 590 45 10-01 | SEALING           |                    | 1   | 15  |
| 15  | 590 45 07-01 | MOTOR KIT         | 230 V              | 1   |     |
| 16  | 590 44 90-01 | COVER PLATE       |                    | 1   |     |
| 17  | 590 45 17-01 | CIRCUIT BOARD     | US 50A             | 1   |     |
| 18  | 590 44 95-01 | CONNECTION PIECE  | 30A                | 1   |     |
| 18  | 591 25 21-01 | STRIP             | US 50A             | 1   |     |
| 19  | 590 45 20-02 | MOTOR COVER       | 230V EU/AUS        | 1   | 29  |
| 19  | 590 44 97-02 | MOTOR COVER       | 230V 50A (US)      | 1   | 29  |
| 20  | 590 45 21-01 | SEALING           |                    | 1   | 29  |
| 21  | 590 44 99-01 | ELECTRICAL SYSTEM | 230 V 50A (US)     | 1   |     |
| 22  | 590 45 21-01 | SEALING           | 230 V (EU/AUS)     | 1   | 29  |
| 22  | 590 45 06-01 | SEALING           | 230 V 50A (US)     | 1   | 29  |
| 23  | 590 41 53-01 | HOUR METER        |                    | 1   | 29  |
| 24  | 590 39 67-01 | MANOMETER         |                    | 1   | 29  |
| 25  | 590 40 26-01 | SWITCH            |                    | 1   | 29  |
| 25  | 590 40 30-01 | SWITCH            | US 50A             | 1   |     |
| 26  | 590 44 93-01 | EXHAUST DUCT      |                    | 1   | 29  |
| 27  | 590 40 25-01 | CABLE GROMMET     |                    | 1   | 29  |
| 28  | 590 45 01-01 | CABLE ASSY        | 230V/30A           | 1   | 29  |
| 28  | 590 45 02-01 | CABLE ASSY        | 230V/50A           | 1   | 29  |
| 29  | 590 47 88-02 | MOTOR COVER       | 230V/30A           | 1   | 29  |
| 29  | 590 47 87-02 | MOTOR COVER       | 230V/50A           | 1   | 29  |
| 29  | 590 44 97-02 | MOTOR COVER       | 120V               | 1   |     |
| 30  | 590 45 13-01 | SUPPORT KIT       |                    | 1   | 29  |
| 31  | 590 44 90-01 | COVER PLATE       |                    | 3   |     |
| 32  | 590 42 62-01 | ELECTRIC BOX      |                    | 1   |     |
| 33  | 590 47 68-01 | COVER LID         |                    | 3   |     |
| 34  | 596 96 94-01 | DIAGRAM           | EU                 | 1   |     |
| 34  | 596 96 94-02 | DIAGRAM           | US 50A             | 1   |     |
|     | 596 96 94-03 | DIAGRAM           | US                 | 1   |     |

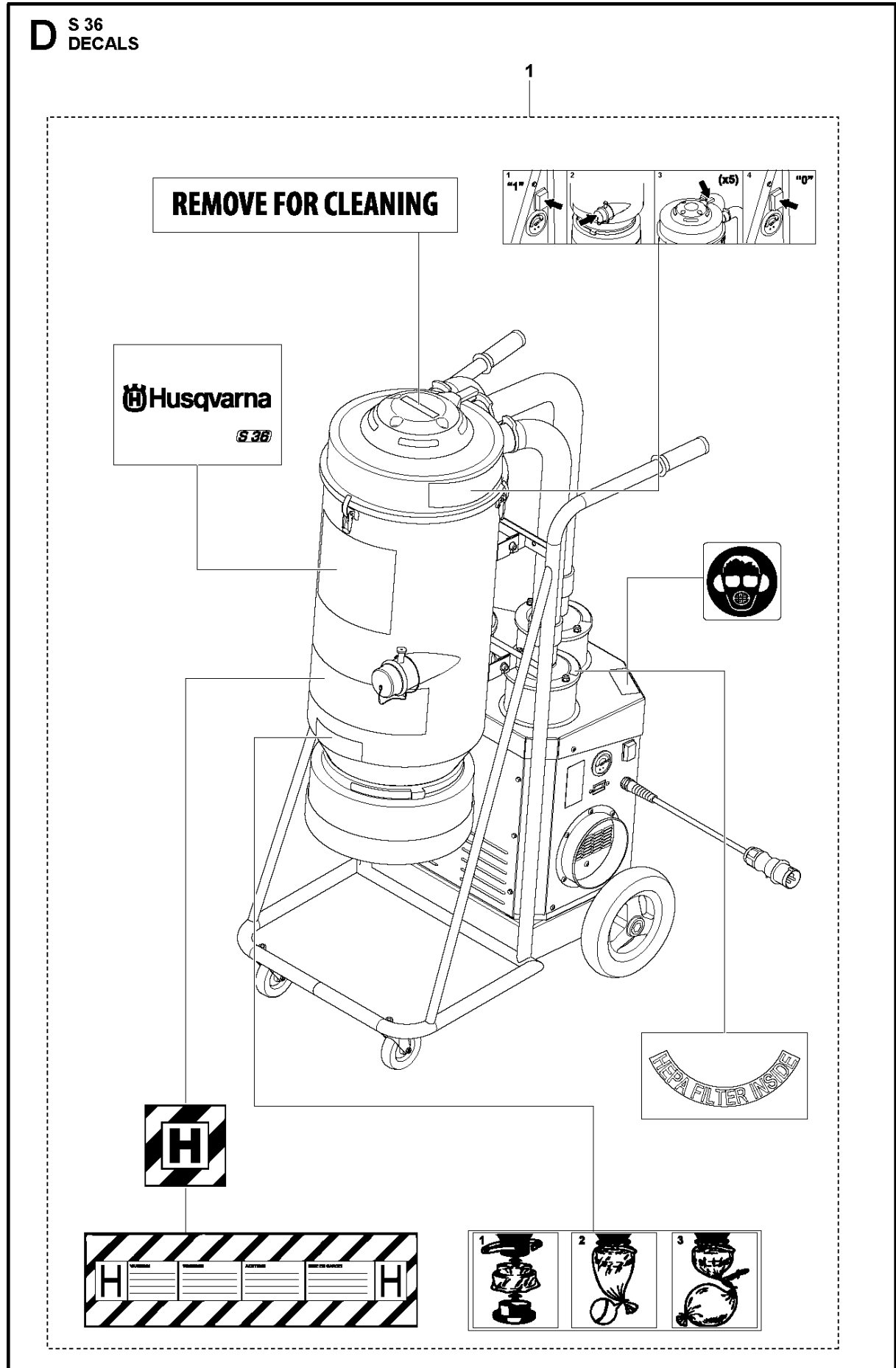
**C** S 36  
FRAME



FRAME S36, 967663801, 967663802, 967663803, 967663804, 967663805, 967663806, 967663807, 2019-06

| Ref | Part No      | Description | Remark | QTY KIT |
|-----|--------------|-------------|--------|---------|
| 1   | 590 42 60-01 | CLIP        |        | 1       |
| 2   | 596 31 67-01 | HANDLE      |        | 2       |
| 3   | 590 39 70-01 | REAR WHEEL  |        | 2       |
| 4   | 590 39 72-01 | WHEEL KIT   |        | 2       |
| 5   | 590 44 94-01 | FRAME       |        | 1       |

**D** S 36  
DECALS

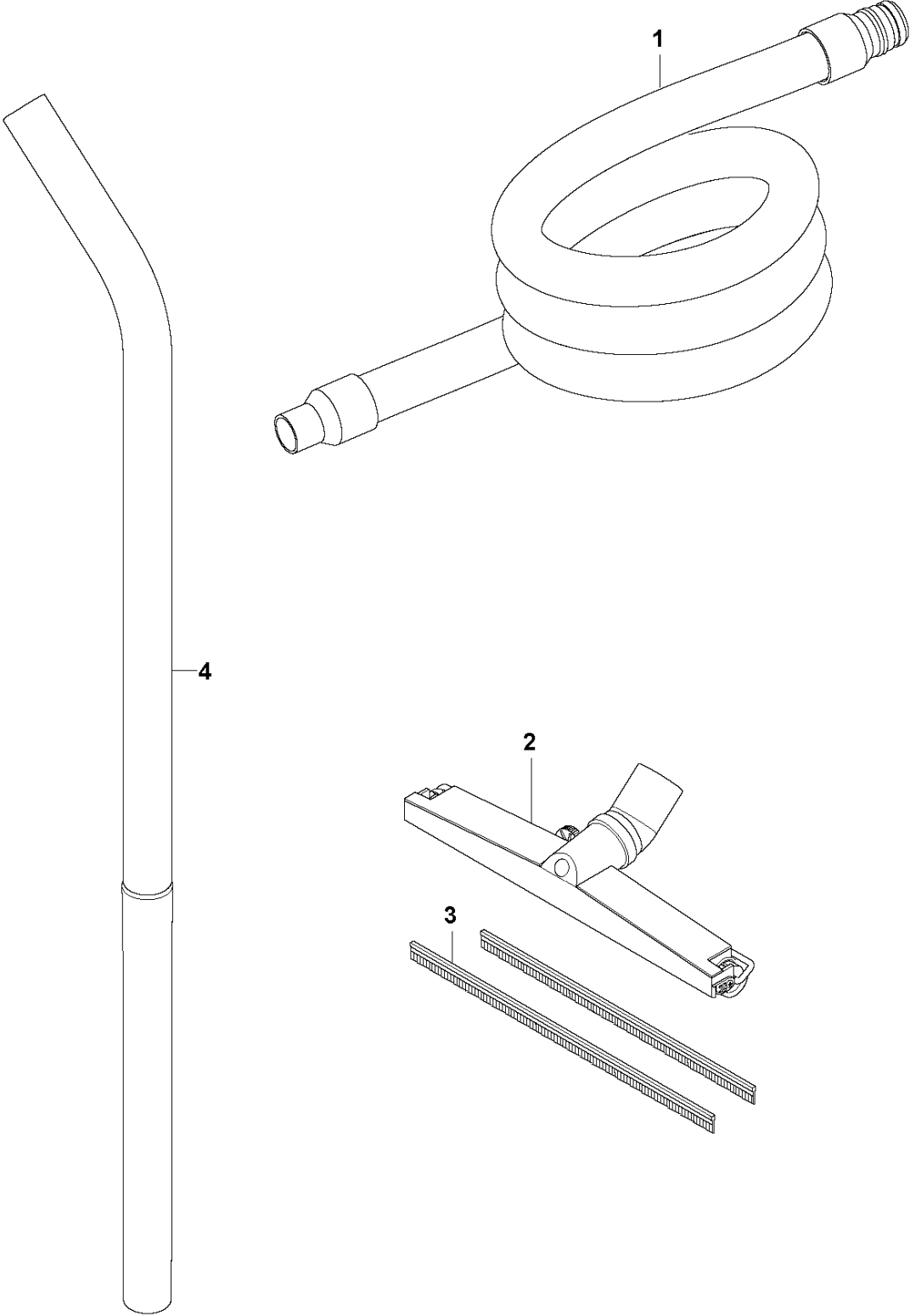




DECALS S36, 967663801, 967663802, 967663803, 967663804, 967663805, 967663806, 967663807,  
2019-06

| Ref | Part No      | Description | Remark | QTY KIT |
|-----|--------------|-------------|--------|---------|
| 1   | 597 74 12-03 | DECAL KIT   |        | 1       |

**E** S 36  
ACCESSORIES



ACCESSORIES S36, 967663801, 967663802, 967663803, 967663804, 967663805, 967663806, 967663807, 2019-06

| Ref | Part No      | Description | Remark | QTY KIT |
|-----|--------------|-------------|--------|---------|
| 1   | 590 43 74-01 | HOSE        |        | 1       |
| 2   | 590 42 83-02 | TOOL        |        | 1       |
| 3   | 590 42 85-03 | TOOL        |        | 1       |
| 4   | 590 82 94-01 | TOOL        |        | 1       |